

**Router bit sets**

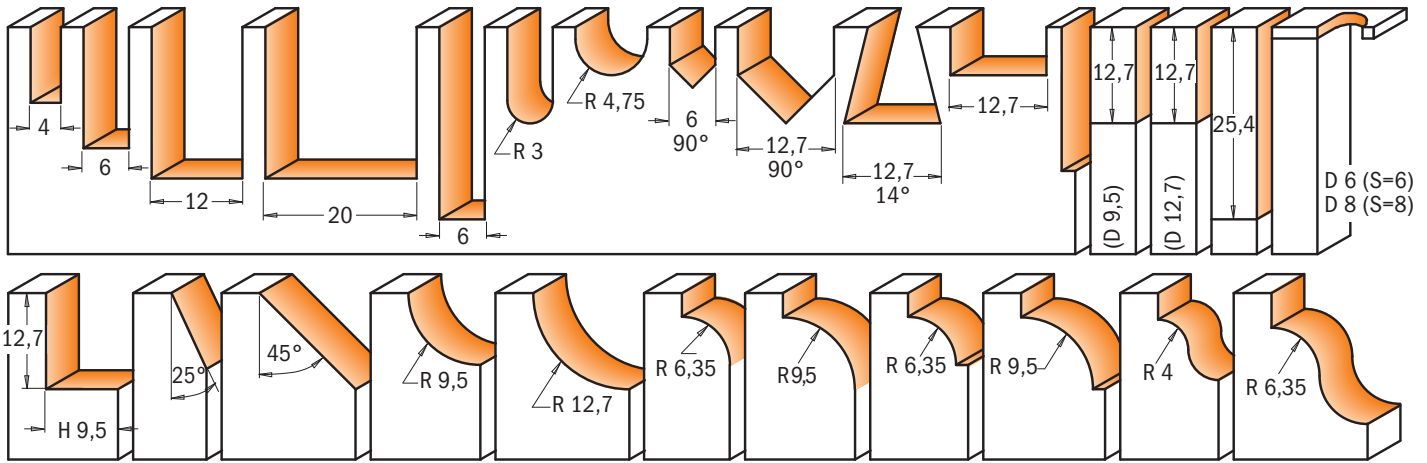


PATENT NO. 7,703,605 B2

**7/900.003**



Find a whole workshop in practical 26 piece router bit sets! With a wide selection of the most demanded tools, these sets include straight bits, flush trim bits, dovetail bits, cove bits, ogee bits and many more. You will have an endless choice to express your creativity! Ideal for master craftsmen, these sets are available from 6 to 8mm shank diametres. See chart below for details.



Drawings are 1:1 scale

DESCRIPTION	ORDER NO. S=Ø6mm	ORDER NO. S=Ø8mm
26 piece router bit sets	<b>700.003.00</b>	<b>900.003.00</b>

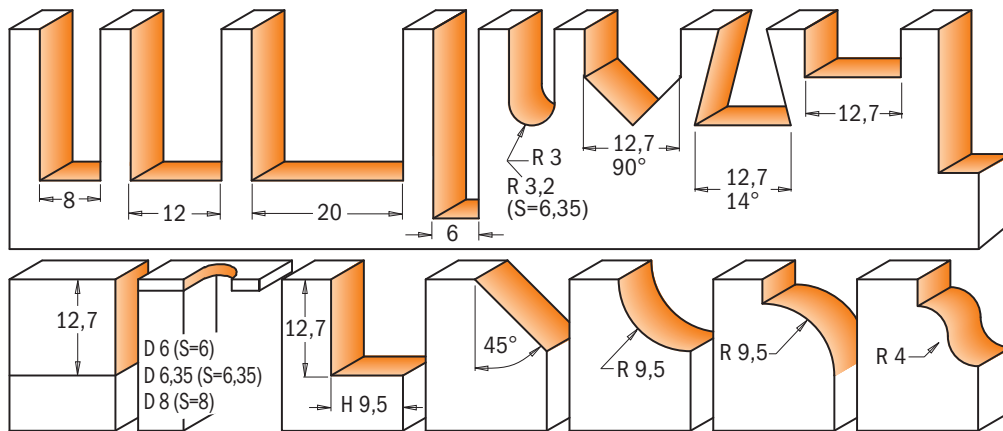


PATENT NO. 7,703,605 B2

**7/8/900.001**



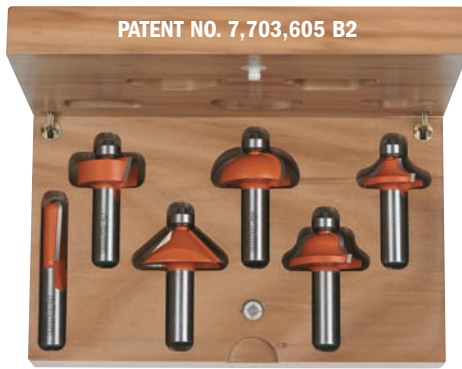
CMT's beautiful sets are the perfect companions for the professional craftsman. These sets offer a selection of organized and ready-to-use straight and profile bits; added value for any woodworker! Each bit is made of Fatigue Proof® steel, micrograin carbide and is coated with orange non-stick PTFE. The bits can be safely stored in their hardwood snap lock cases.



Drawings are 1:1 scale

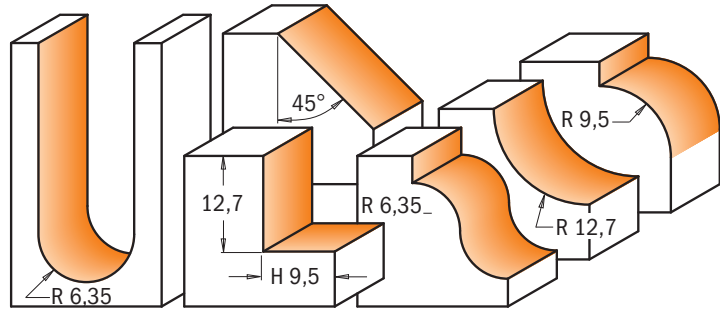
DESCRIPTION	ORDER NO. S=Ø6mm	ORDER NO. S=Ø6,35mm	ORDER NO. S=Ø8mm
15 piece router bit sets	<b>700.001.00</b>	<b>800.001.00</b>	<b>900.001.00</b>

## 6 piece profile bit set with wooden case



### 800.504

Containing 6 of CMT's most frequently used 12,7mm shank router bits, this compact Italian hardwood case is beautiful and convenient for your woodworking needs. All the bits contained feature the finest steel and carbide, plus CMT's baked-on orange PTFE non-stick coating.



Drawings are 1:1 scale

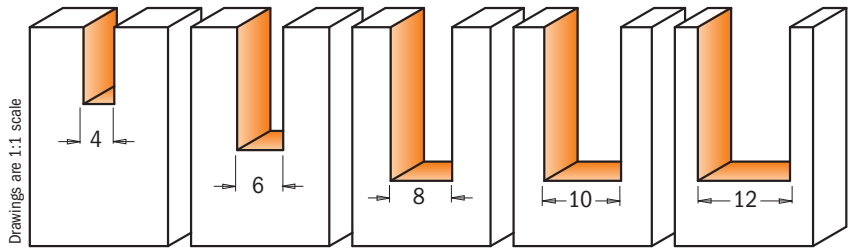
DESCRIPTION	ORDER NO.
6 piece profile bit set with wooden case	S=Ø12,7mm <b>800.504.11</b>

## 5 piece straight bit set and profile bit set

Our beautiful sets are the perfect companion for the professional craftsman. We offer three 5 piece sets with a selection of straight bits and the most popular profile router bits. These tools feature Fatigue Proof® steel, micrograin carbide and orange PTFE non-stick coating. Safely stored in a solid plastic box to fit in your display cabinet.



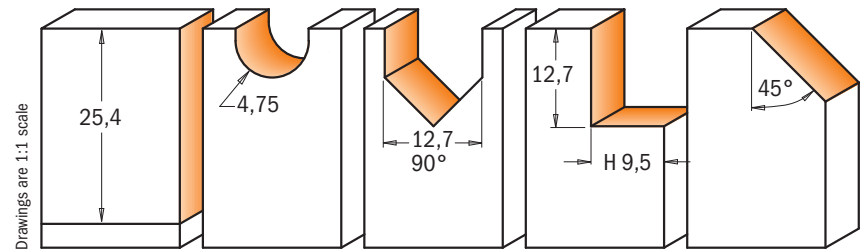
### 8/900.005.01



DESCRIPTION	ORDER NO.	ORDER NO.
5 piece straight bit set	S=Ø6,35mm <b>800.005.01</b>	S=Ø8mm <b>900.005.01</b>



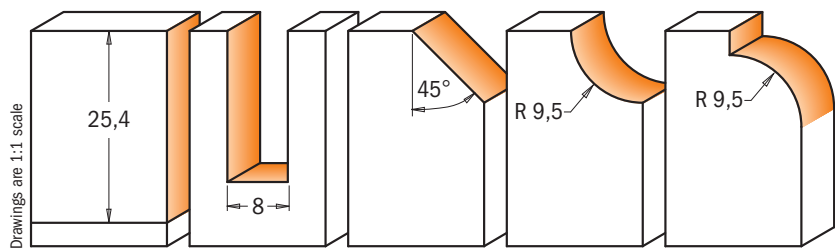
### 900.005.02



DESCRIPTION	ORDER NO.
5 piece profile bit set	S=Ø8mm <b>900.005.02</b>



### 7/900.005.03



DESCRIPTION	ORDER NO.	ORDER NO.
5 piece profile bit set	S=Ø6mm <b>700.005.03</b>	S=Ø8mm <b>900.005.03</b>

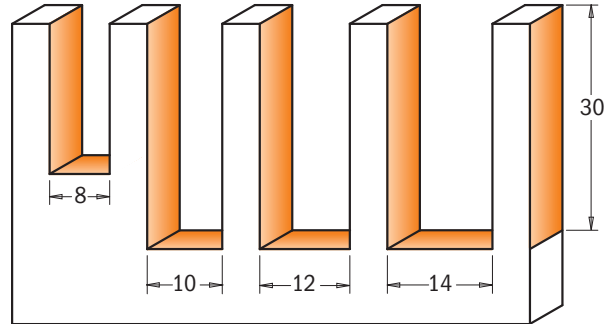
## Router bit set with insert knives



**600.005.01**



This set is the perfect companion for the professional craftsman. We offer the 5 most popular bits with knives and all necessary spare knives and Torx keys. They are perfect for working on all materials such as solid wood, wood composites, plastic and laminated materials. For use with a hand held or CNC router.



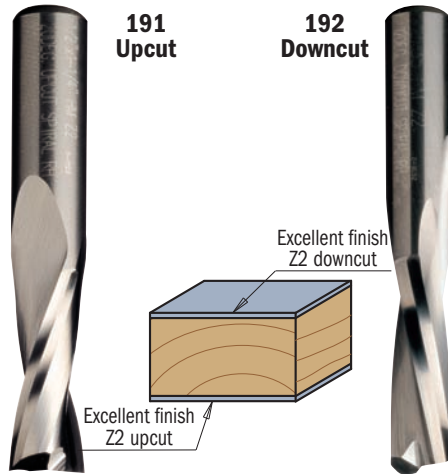
Drawings are 1:1 scale

**10 spare knives and 2 torx keys included**

DESCRIPTION	ORDER NO. S=Ø8mm
Router bit set with insert knives	<b>600.005.01</b>

Set contains	D mm	I mm	Spare knives	Spare bearing	ORDER NO. S=Ø8mm
Straight router bit with knife	8	20	790.200.01 - 20 x 4,1 x 1,1mm		<b>651.080.11</b>
Straight router bit with knife	10	30	790.300.01 - 30 x 5,5 x 1,1mm		<b>651.100.11</b>
Straight router bit with knife	12	30	790.300.01 - 30 x 5,5 x 1,1mm		<b>651.120.11</b>
Straight router bit with knife	14	30	790.300.01 - 30 x 5,5 x 1,1mm		<b>651.140.11</b>
Flush trim bit with knife	19	30	790.300.00 - 30 x 12 x 1,5mm	791.007.00	<b>657.191.11</b>

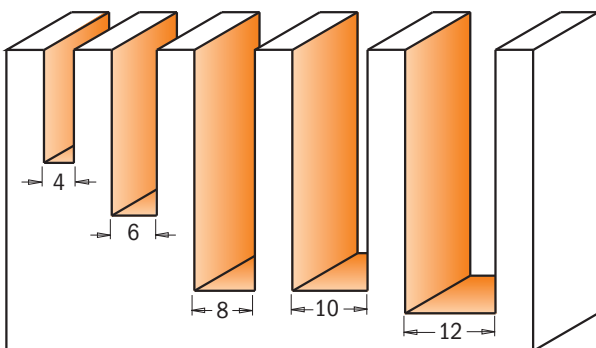
## 5 piece spiral bit sets



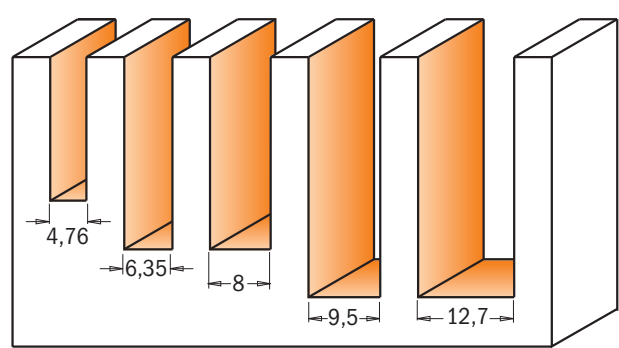
**191/192**



CMT is proud to offer you these new sets of high quality solid tungsten carbide upcut and downcut spiral bits in the most popular diameters. The new formulated super micrograin composition guarantees extremely sharp long-lasting cutting edges, whereas the spiral layout allows for a more efficient chip ejection. In addition these bits stay cooler during work and are suitable for CMT's new precision machines. Recommended for use on soft and hardwood, plywood, laminates, MDF and plastic materials. To be used on handheld routers and CNC machines.



Drawings are 1:1 scale



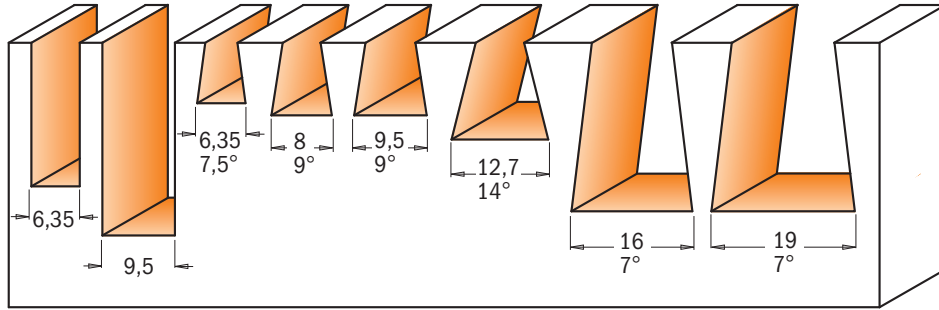
DESCRIPTION	ORDER NO. S=Ø8mm	ORDER NO. S=Ø6,35-12,7mm
5 piece upcut spiral bit sets (Ø4 - 6 - 8 - 10 - 12mm)	<b>191.000.01</b>	
5 piece downcut spiral bit sets (Ø4 - 6 - 8 - 10 - 12mm)	<b>192.000.01</b>	
5 piece upcut spiral bit sets (Ø4,76 - 6,35 - 8 - 9,5 - 12,7mm)		<b>191.000.02</b>
5 piece downcut spiral bit sets (Ø4,76 - 6,35 - 8 - 9,5 - 12,7mm)		<b>192.000.02</b>

## 8 piece dovetail and straight bit sets



**800.500/501**

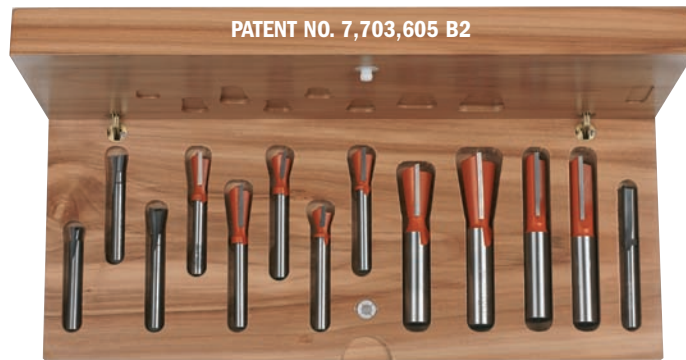
Perfect for the craftsman with a creative flair, these CMT's sets contain the most frequently used bits for boxes, creative joinery and a wide range of other projects. Safely packaged in a hardwood box to have the bits within a hand's reach. The bits suit most popular jigs.  
**IDEAL FOR INCRA & JOINTECH JIGS.**



Drawings are 1:1 scale

DESCRIPTION	ORDER NO. S=Ø6,35mm	ORDER NO. S=Ø12,7mm
8 piece dovetail and straight bit sets	<b>800.500.11</b>	<b>800.501.11</b>

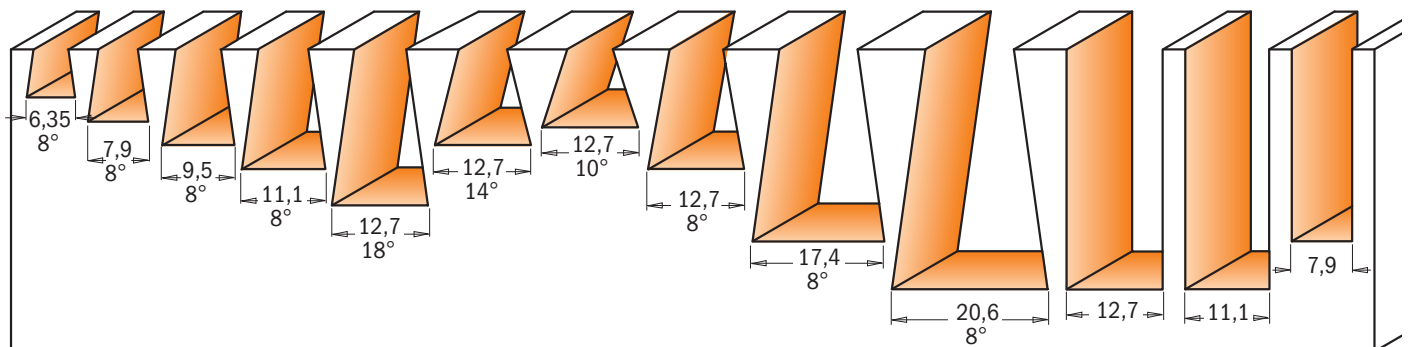
## 13 piece dovetail and straight bit sets



**800.519**



Perfect for the craftsman with a creative flair, these CMT's sets contain the most frequently used bits for making boxes, creative joinery and a wide range of other projects. Safely packaged in a hardwood box to have the bits within a hand's reach. The bits suit most popular jigs.  
**IDEAL FOR D4 LEIGH JIGS.**



Drawings are 1:1 scale

DESCRIPTION	ORDER NO. S=Ø6,35-12,7mm
13 piece dovetail and straight bit sets	<b>800.519.11</b>

## 12 piece router bit set with wooden case

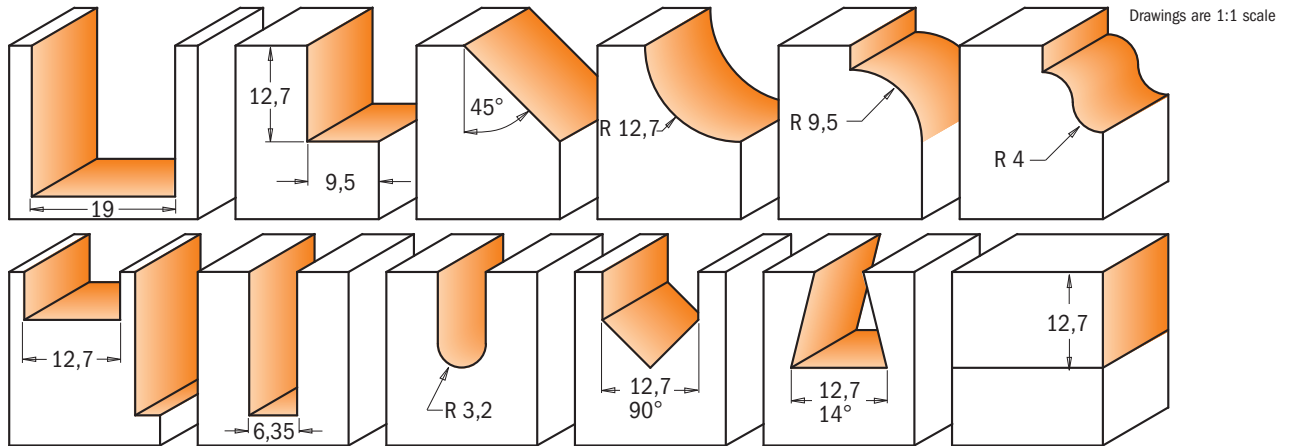


PATENT NO. 7,703,605 B2

**800.503**



Containing 12 of CMT's most frequently used 6,35mm shank router bits featuring the finest steel and carbide, plus CMT's baked-on orange PTFE non-stick coating, this compact Italian hardwood case is beautiful and convenient for your woodworking needs. You will have exactly what you need within hand's reach.



**DESCRIPTION**

**ORDER NO.**  
S=Ø6,35mm

12 piece router bit set with wooden case

**800.503.11**

## 13 piece router bit set with wooden case

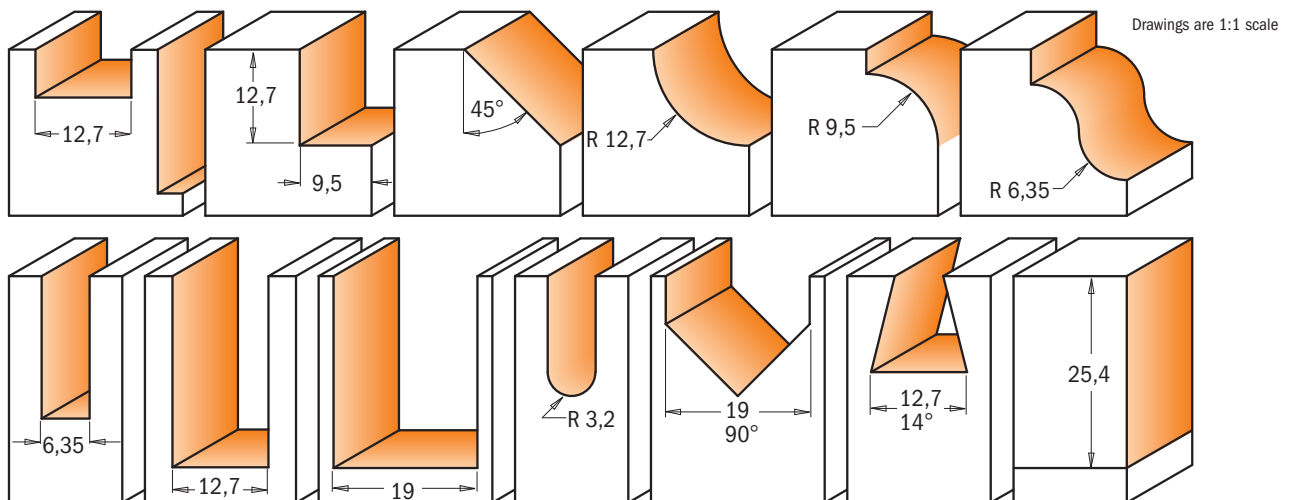


PATENT NO. 7,703,605 B2

**800.505**



Containing 13 of CMT's most frequently used 12,7mm shank router bits featuring the finest steel and carbide, plus CMT's baked-on orange PTFE non-stick coating, this compact Italian hardwood case is beautiful and convenient for your woodworking needs. You will have exactly what you need within hand's reach.



**DESCRIPTION**

**ORDER NO.**  
S=Ø12,7mm

13 piece router bit set with wooden case

**800.505.11**

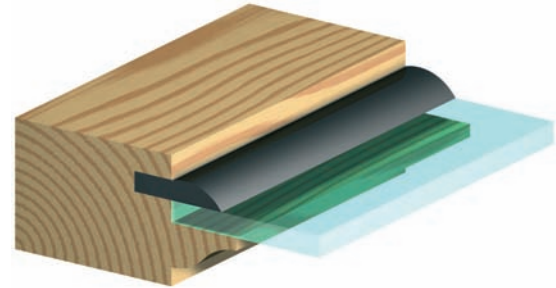
# Slot cutter sets



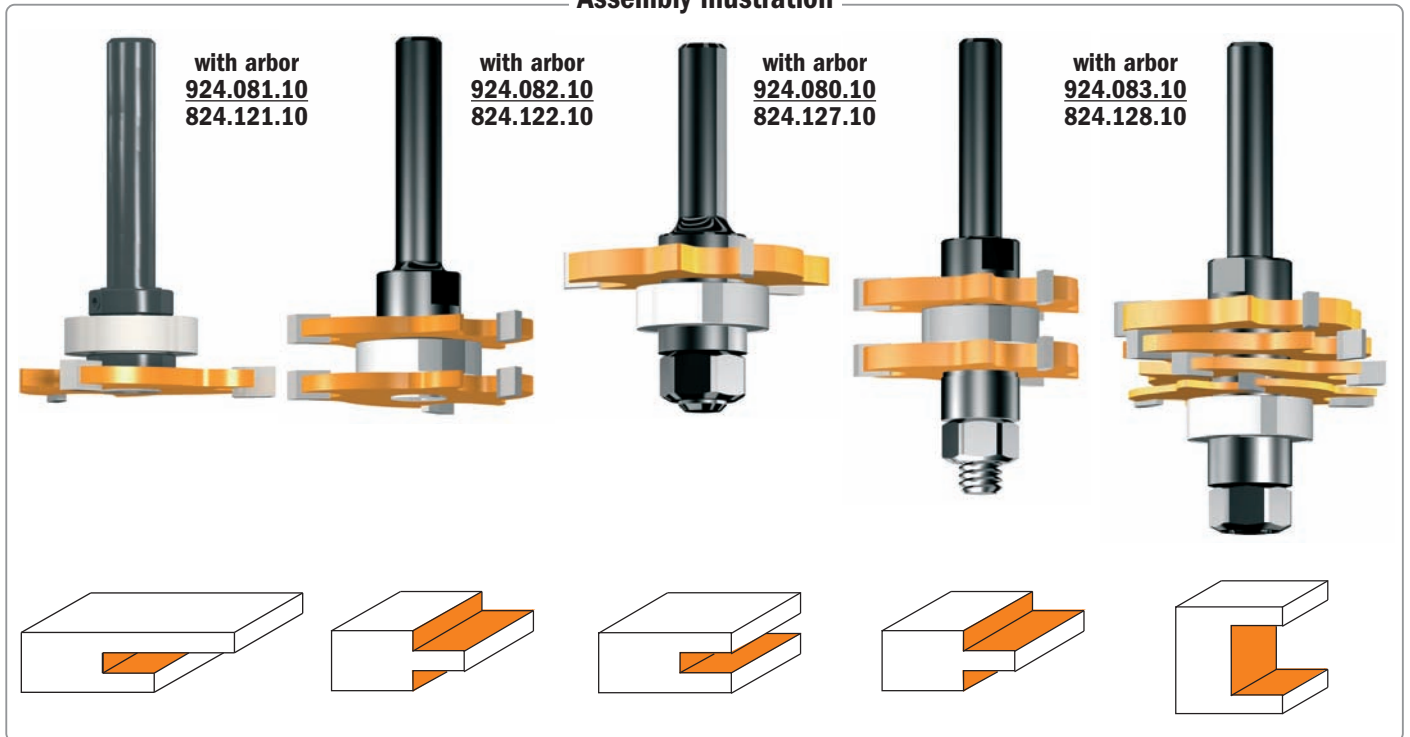
## 8/923.001

Create slots, grooves and rabbets on all materials using the CMT slot cutter sets. Ideal for biscuit and tongue and groove joints. **These sets include 4 different bearings to allow a cutting depth of 7,95mm, 9,5mm, 12,8mm and 14,3mm.** Please refer to the chart below for applications and the correct cutter combinations.

Safety tips: never use the slot cutter sets without shims between cutters, whose distance can vary from 1mm to 1,7mm. Shims can also be positioned between the ball bearings and the cutters.



### Assembly illustration



#### ORDER NO. **923.001.11** Shank Ø8mm

SET CONTAINS	Q.ty	ORDER NO.
2mm slot cutter	1	<b>822.320.11</b>
3mm slot cutter with 45° bore	1	<b>823.330.11</b>
4mm slot cutter with 45° bore	1	<b>823.340.11</b>
5mm slot cutter with 45° bore	3	<b>823.350.11</b>
6mm slot cutter	1	<b>822.360.11</b>
Slot cutter arbor with Ø22mm bearing	1	<b>924.080.10</b>
Slot cutter arbor with Ø22mm bearing	1	<b>924.081.10</b>
Slot cutter arbor with Ø22mm bearing	1	<b>924.082.10</b>
Slot cutter arbor with Ø22mm bearing (long series)	1	<b>924.083.10</b>
Ø31,7mm bearing	1	<b>791.033.00</b>
Ø28,5mm bearing	1	<b>791.030.00</b>
Ø19mm bearing	1	<b>791.034.00</b>
3mm hex key	1	<b>991.067.00</b>

#### ORDER NO. **823.001.11** Shank Ø12,7mm

SET CONTAINS	Q.ty	ORDER NO.
1,6mm (1/16") slot cutter	1	<b>822.316.11</b>
3,2mm (1/8") slot cutter with 45° bore	1	<b>823.332.11</b>
4mm slot cutter with 45° bore	1	<b>823.340.11</b>
4,8mm (3/16") slot cutter	1	<b>822.348.11</b>
6,4mm (1/4") slot cutter with 45° bore	3	<b>823.364.11</b>
Slot cutter arbor with Ø22mm bearing	1	<b>824.127.10</b>
Slot cutter arbor with Ø22mm bearing	1	<b>824.121.10</b>
Slot cutter arbor with Ø22mm bearing	1	<b>824.122.10</b>
Slot cutter arbor with Ø22mm bearing (long series)	1	<b>824.128.10</b>
Ø31,7mm bearing	1	<b>791.033.00</b>
Ø28,5mm bearing	1	<b>791.030.00</b>
Ø19mm bearing	1	<b>791.034.00</b>
3mm hex key	1	<b>991.067.00</b>

Saw blades

Tools with bore & Knives

Router Bits & Sets

CNC Router Cutter & Chucks

Industrial Dowel Drills

Bits for Hand Power Tools

Spare Parts

Power Tools & Accessories

Display Cabinets

# Entry & interior door router bit set

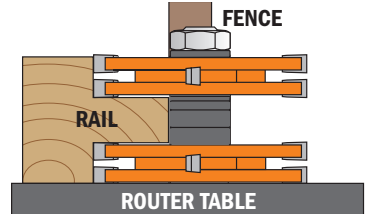


**800.527**

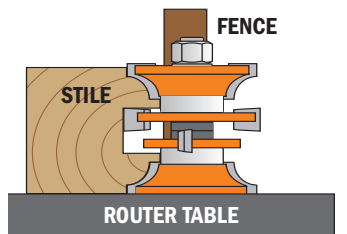
This CMT three-piece router bit set simplifies door construction, making it easy as 1, 2, 3! It is not the only advantage, in fact this is a multifunctional set for door and furniture makers, building entry or passage doors and any furniture tenons. The included tenon cutter produces a beefy 27mm long tenon. Coupled with the cope cutter, you can produce long and strong tenons with minimum setup. As an extra bonus the tenon cutter can be used for furniture making requiring any tenon from 4,7mm to 16mm thick.



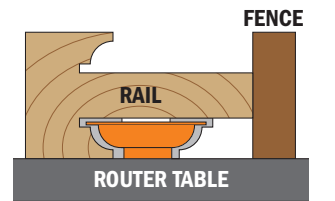
## Entry & interior door construction - Easy as 1, 2, 3!



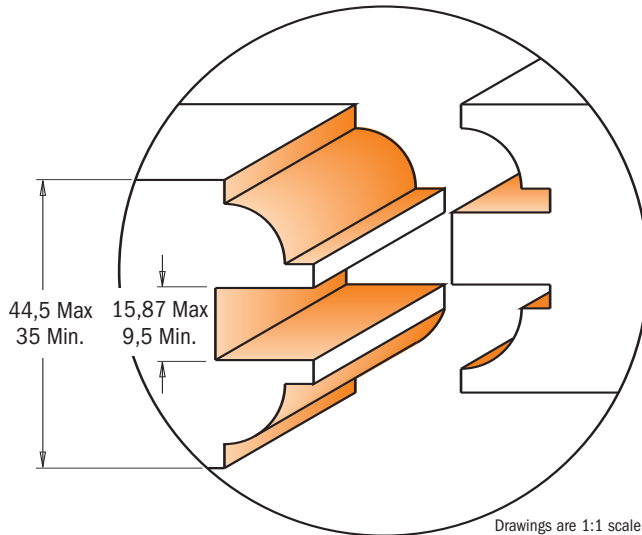
**Step 1.** Cut the tenon into the rails



**Step 2.** Cut the groove and door profile in pieces.



**Step 3.** Undercut the tenons to cope the ends of the rails.



Drawings are 1:1 scale

DESCRIPTION	ORDER NO.
3 piece entry & interior door router bit set	S=Ø12,7mm <b>800.527.11</b>

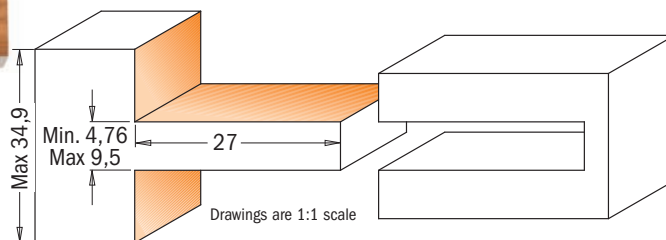
# Tenon cutting router bit



**8/900.627**

**Cut perfectly fitting tenons, every time!** If you've struggled cutting fitting tenons, here's the perfect solution for you. CMT's tenon cutting router bit will produce perfectly fitting tenons in every board you cut, even if the boards vary slightly in thickness. Simply set the distance between the cutters using the included spacers, so you can easily cut tenons from 4,76mm to 9,5mm thick, up to 27mm long. This simple-to-use router bit takes the mystery out of achieving the excellent tenon-to-mortise fit required for high quality joinery.

**Safety Precautions:** maximum speed: 12,000 RPM.



Drawings are 1:1 scale

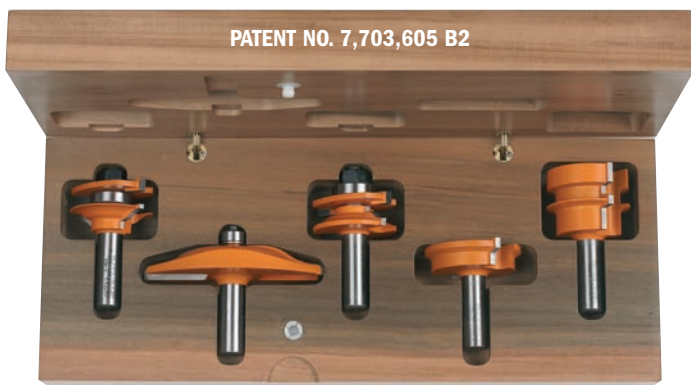
Tenon Cutting	No. Spacer		
	6,35mm	3,2mm	1,6mm
4,76mm	1	0	0
6,35mm	1	0	1
8mm	1	1	0
9,5mm	1	1	1

I mm	D mm	H mm	ORDER NO. S=Ø12mm	ORDER NO. S=Ø12,7mm	Spare parts							
34,9	75	27	<b>900.627.11</b>									
34,9	75	27		<b>800.627.11</b>	541.513.00	541.520.00	541.521.00	541.522.00	541.523.00	924.134.00	822.020.11	990.022.00
					541.513.00	541.520.00	541.521.00	541.522.00	541.523.00	824.134.00	822.020.11	990.022.00

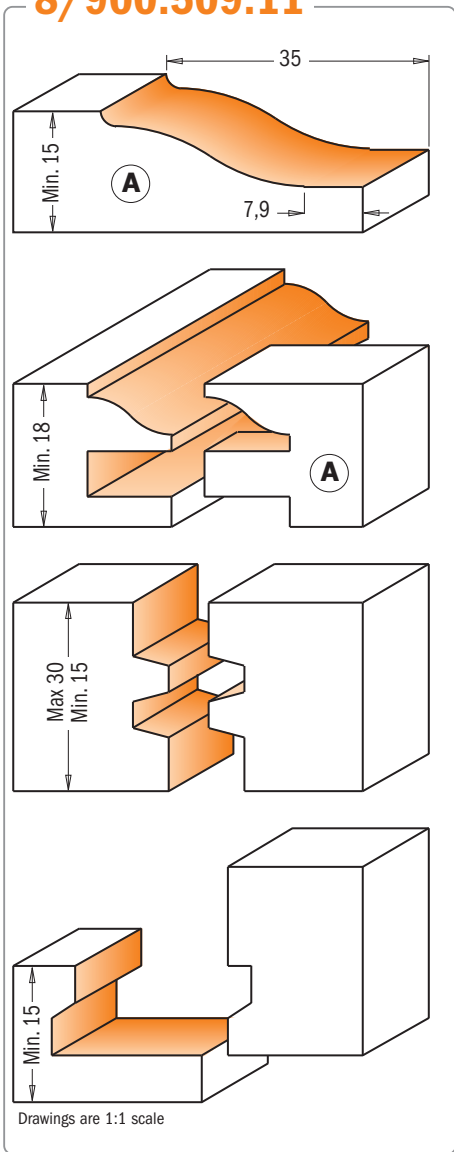
# CMT's complete kitchen set



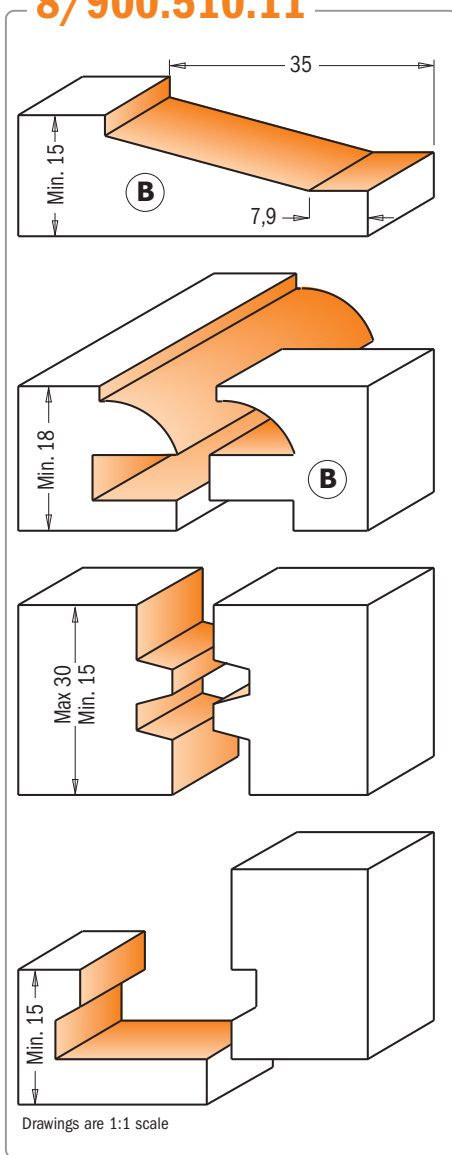
These CMT's sets aren't only a random selection of odds and ends packaged in a nice elegant box, but they are also professional kits for drawer and door makers. 3 sets to choose from, 5 different bits to suit your needs: a raised panel bit, rail and stile bits, a glue joint and a drawer lock bit. Please refer to the illustrations below for complete profile options.



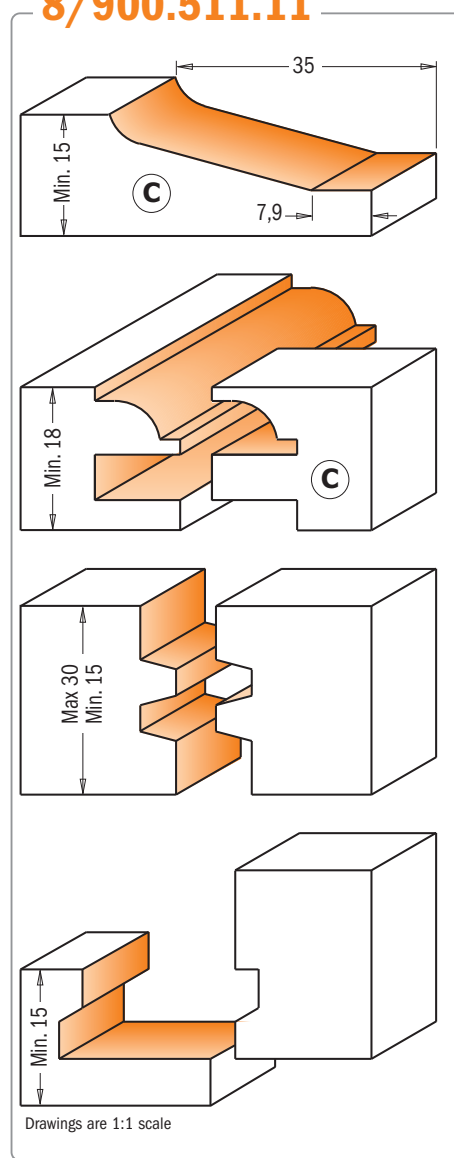
## 8/900.509.11



## 8/900.510.11



## 8/900.511.11



### DESCRIPTION

CMT's complete kitchen set - Profile A (5 HW pcs.)  
 CMT's complete kitchen set - Profile B (5 HW pcs.)  
 CMT's complete kitchen set - Profile C (5 HW pcs.)

### ORDER NO.

S=Ø12mm

**900.509.11**

**900.510.11**

**900.511.11**

### ORDER NO.

S=Ø12,7mm

**800.509.11**

**800.510.11**

**800.511.11**

Saw blades

Tools with bore & Knives

Router Bits & Sets

CNC Router Cutter & Chucks

Industrial Dowel Drills

Bits for Hand Power Tools

Spare Parts

Power Tools & Accessories

Display Cabinets

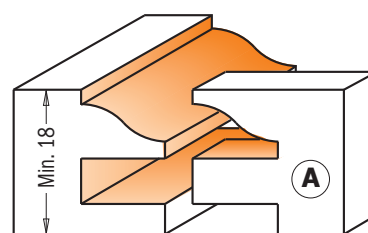
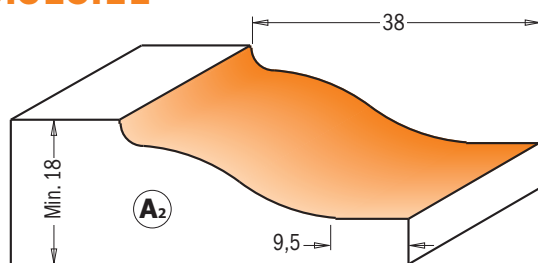


# Kitchen sets



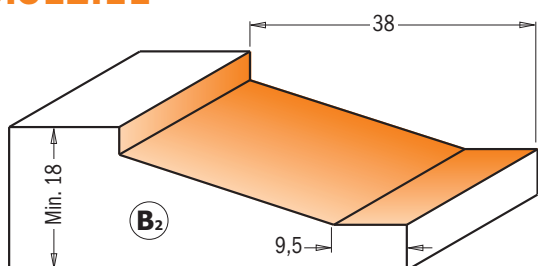
Open new doors with CMT! Our 3 piece kitchen sets include a couple of rail and style bits and a raised panel bit. Choose among 4 possible profiles to make panel doors easy and economical. Each bit is made from bar stock steel and the highest quality tungsten carbide, along with the trademark orange non-stick PTFE coating. Also, they all come with their protective hardwood case: a very nice object to keep your bits safe, organized and within hand's reach.

## 8/900.513.11



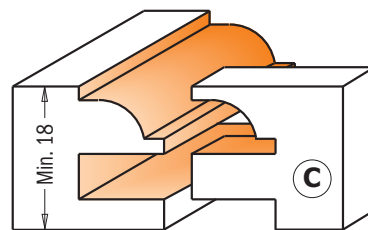
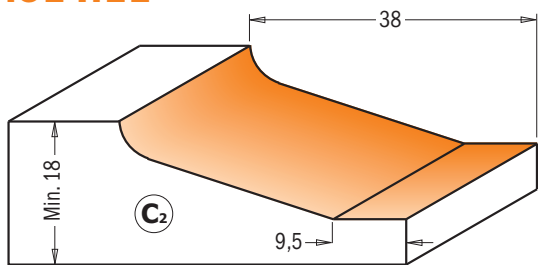
Drawings are 1:1 scale

## 8/900.512.11



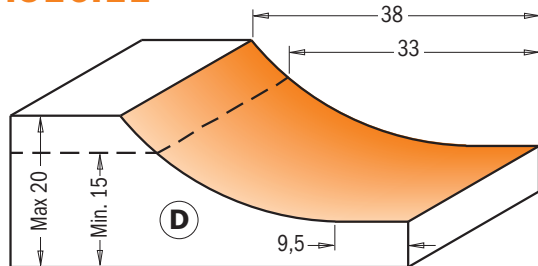
Drawings are 1:1 scale

## 8/900.514.11



Drawings are 1:1 scale

## 8/900.516.11



Drawings are 1:1 scale

DESCRIPTION	ORDER NO. S=Ø12mm	ORDER NO. S=Ø12,7mm
Kitchen set - Profile A <sub>2</sub> (3 HW pcs.)	<b>900.513.11</b>	<b>800.513.11</b>
Kitchen set - Profile B <sub>2</sub> (3 HW pcs.)	<b>900.512.11</b>	<b>800.512.11</b>
Kitchen set - Profile C <sub>2</sub> (3 HW pcs.)	<b>900.514.11</b>	<b>800.514.11</b>
Kitchen set - Profile D (3 HW pcs.)	<b>900.516.11</b>	<b>800.516.11</b>

# The cabinetmaking sets



**800.515 - 800.520**



Available with raised panel bits in two different profiles, these sets feature six router bits for making arched raised panel doors and professional drawer fronts.

These sets include:

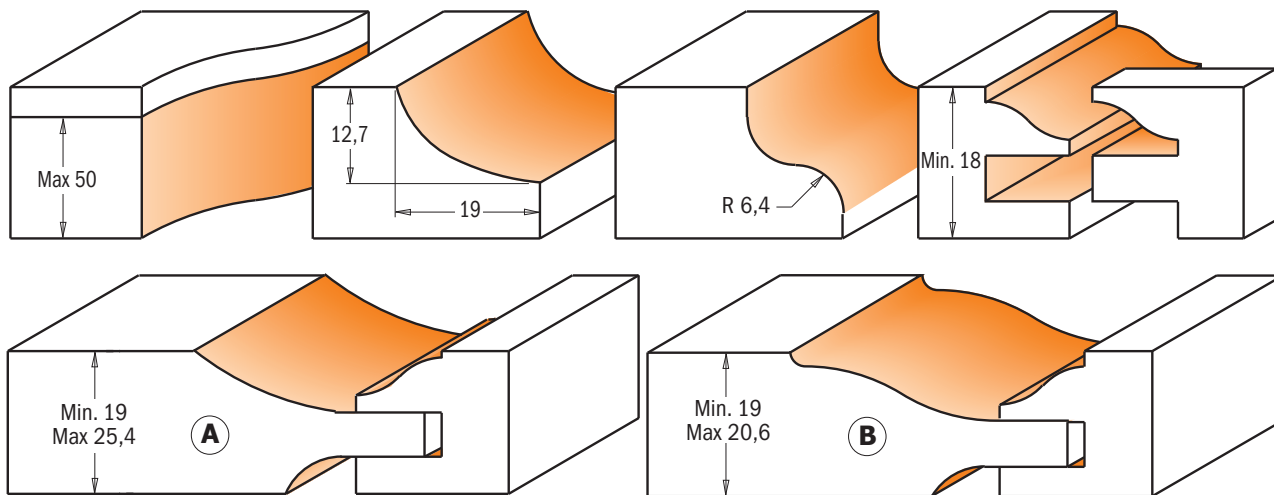
**OGEE RAIL & STILE BITS:** these two perfectly matched tools will eliminate the frustration of setting up reversible cutters. The stile bits also feature shear angles for neater cuts.

**RAISED PANEL BIT WITH BACKCUTTER:** this 88,9mm diametre bit features a backcutter for milling both the front and the back on the panel in a single cut. We recommend using a 31mm diametre bearing to work safely in two shallow passes.

**SUPER-DUTY FLUSH TRIM BIT:** this 19mm diametre bit gives you a superior cut with minimal chipping, even on end grain.

**OGEE DOOR EDGE BIT:** a subtle cove followed by a subtle roundover adds an elegant touch to your door edge.

**DRAWER FRONT BIT:** this bit makes a mini-raised panel cut on the outside edges of your drawer fronts.



Drawings are 1:1 scale

DESCRIPTION	ORDER NO.
The cabinetmaking sets - Profile A (6 HW pcs.)	S=Ø12,7mm <b>800.515.11</b>
The cabinetmaking sets - Profile B (6 HW pcs.)	<b>800.520.11</b>

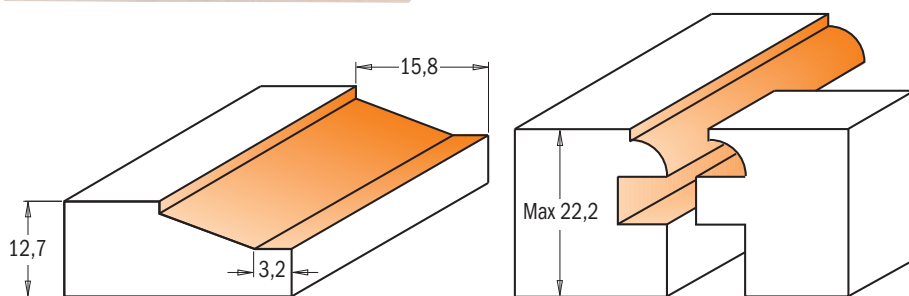
# Small arch door sets



**800.524 - 900.024**



These 3 piece sets will produce beautiful raised panel doors with a classic bevelled profile. Designed for use in fine furniture making, these sets include two matched cope and stick bits to produce frames from 15,87mm to 19mm in thickness. The stick bit shapes a decorative 4,76mm thumbnail moulding along the edge of the frame. The panel bit is designed for 12,7mm thick material. All bits are equipped with guide bearings for shaping curved work such as the small arched panel doors seen on secretaries and corner cabinetry. These sets also produce panels for small chests, lids for small boxes, or drawer fronts. Instructions included.



Drawings are 1:1 scale



DESCRIPTION	ORDER NO.	ORDER NO.
Small arch door sets (3 HW pcs.)	S=Ø8mm <b>900.024.11</b>	S=Ø12,7mm <b>800.524.11</b>

Saw blades

Tools with bore & knives

Router Bits & Sets

CNC Router Cutter & Chucks

Industrial Dowel Drills

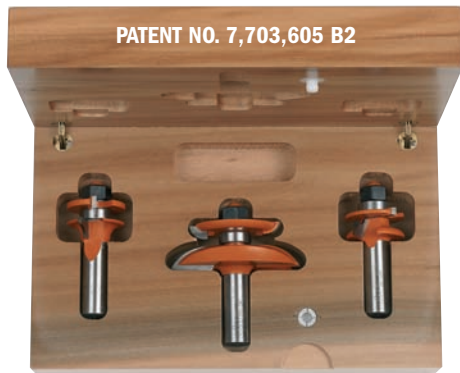
Bits for Hand Power Tools

Spare Parts

Power Tools & Accessories

Display Cabinets

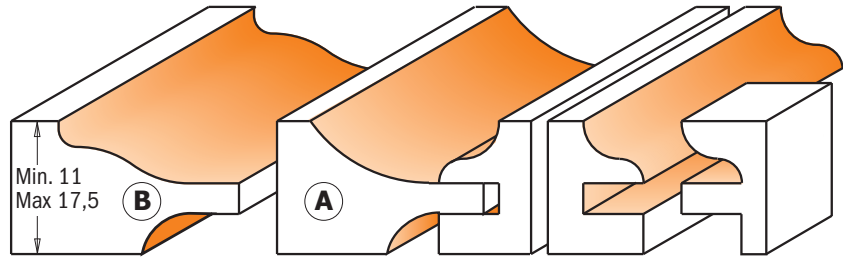
## The raised panel sets with backcutter



### 8/900.518 - 8/900.522



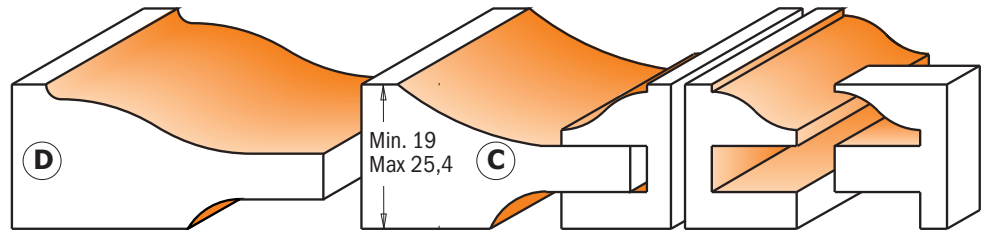
CMT's junior raised panel sets add intricate detail on a whole new scale! You will make frame and panel details as small as 70mm square in material as thin as 11mm. Delicate panel doors are only the beginning - use these bits with templates to add interesting arches to your work. The sets include a choice of a cove or an ogee raised panel bit and an ogee rail & stile pair. Packaged in beautiful hardwood cases.



Drawings are 1:1 scale

### 8/900.517 - 8/900.521

Making raised panels has never been so easy with these new 3 piece sets! The ogee rail and stile bits are made to match perfectly guaranteeing flawless work, whereas the stile cutter features a shear angle to produce the finest cuts with minimal splintering. The Ø89mm raised panel bit also features a cove profile and a backcutter for milling both the front and the back of the panel in a single pass.



DESCRIPTION	ORDER NO. S=Ø12mm	ORDER NO. S=Ø12,7mm
The junior raised panel sets - Profile A (3 HW pcs.)	<b>900.518.11</b>	<b>800.518.11</b>
The junior raised panel sets - Profile B (3 HW pcs.)	<b>900.522.11</b>	<b>800.522.11</b>
The raised panel sets - Profile C (3 HW pcs.)	<b>900.517.11</b>	<b>800.517.11</b>
The raised panel sets - Profile D (3 HW pcs.)	<b>900.521.11</b>	<b>800.521.11</b>

## Adjustable tongue & groove bit set for Mission style cabinet doors

**new**

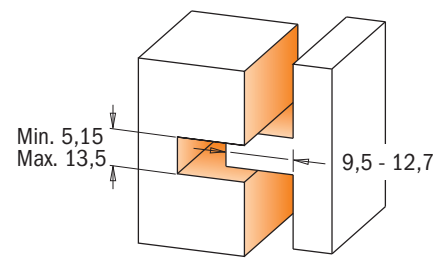


### 8/900.625

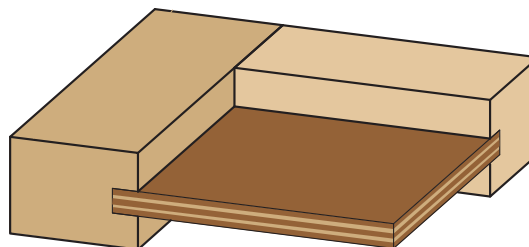


Exclusive CMT design which allows the perfect fit for undersized plywood panel. The tongue cutter features opposing shear angles to obtain flawless finishing on a large variety of material such as plywood, softwood and hardwood. For use on a table-mounted router, not for hand-held routers.

- Adjustable at 0.050mm (0.002") increments;
- For groove width from 5mm (13/64") to 13,5mm (17/32");
- Cut stock thickness of 12,7mm (1/2") to 31,7mm (1-1/4");
- Features micrograin carbide for longer life.

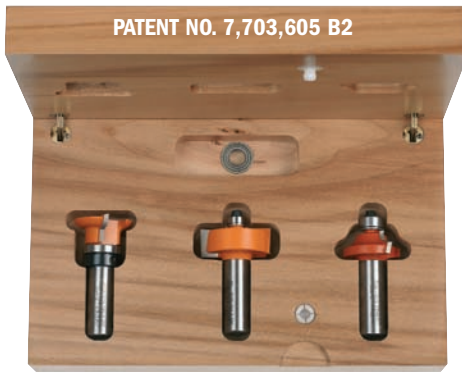


Drawings are 1:1 scale



DESCRIPTION	ORDER NO. S=Ø12mm	ORDER NO. S=Ø12,7mm
Adjustable tongue & groove bit set for Mission style cabinet doors	<b>900.625.11</b>	<b>800.625.11</b>

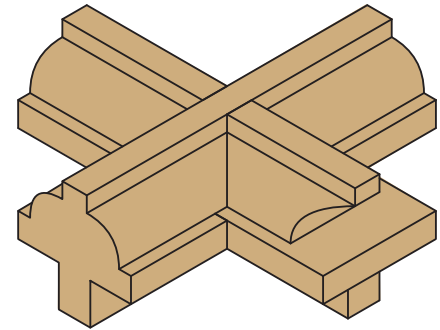
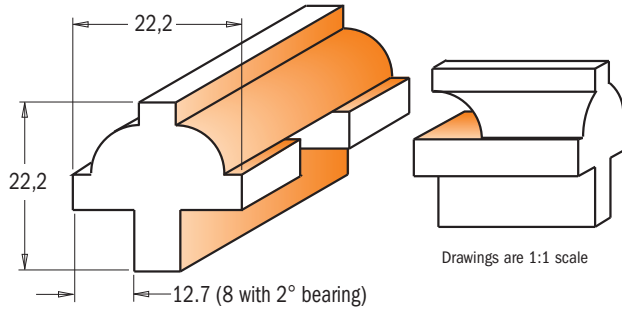
## Divided light door sets



**800.525 - 900.025**

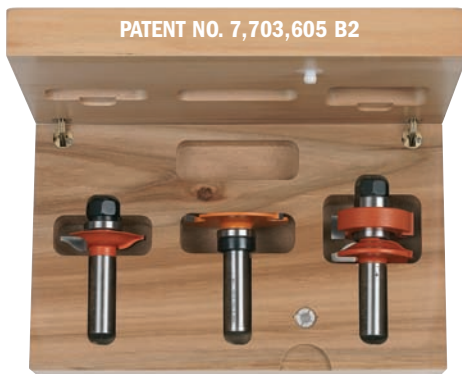


Build authentic divided light doors for fine furniture and cabinets with these 3 piece sets. They include a stuck bit to cut the decorative ovolo profile on the frame edges, a cope to shape the mating profile on the ends of the stock, and a rabbeting bit to cut the recess for the glass. Thanks to the guide bearings, you can also create arched on curved frames. The unique design of the cope bit allows you to use full-length tenons to create strong, authentic mortise-and-tenon joinery. As the stock is coped, the tenon passes over the bit. These sets are designed for 22,2mm wide bars such as those on corner cupboard door. Available in 8mm and 12,7mm shanks. Instructions included.



DESCRIPTION	ORDER NO. S=Ø8mm	ORDER NO. S=Ø12,7mm
Divided light door sets	<b>900.025.11</b>	<b>800.525.11</b>

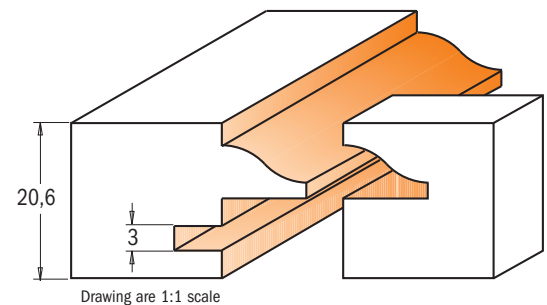
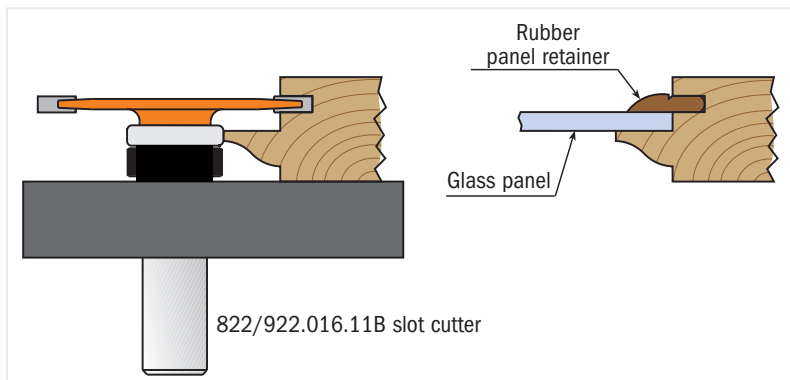
## Glass panel sets



**8/955.803**



CMT's unique stile and rail router bit sets allow you to produce glass panel doors by using a rubber panel retain to secure the glass in a 3,2mm slot cut into the frames. These bits work the same as other CMT's stile and rail sets, but they leave you with a square rabbet on the inside of your door for installing the glass panel. Available in 12mm and 12,7mm shanks.



DESCRIPTION	ORDER NO. S=Ø12mm	ORDER NO. S=Ø12,7mm
Glass panel sets	<b>955.803.11</b>	<b>855.803.11</b>